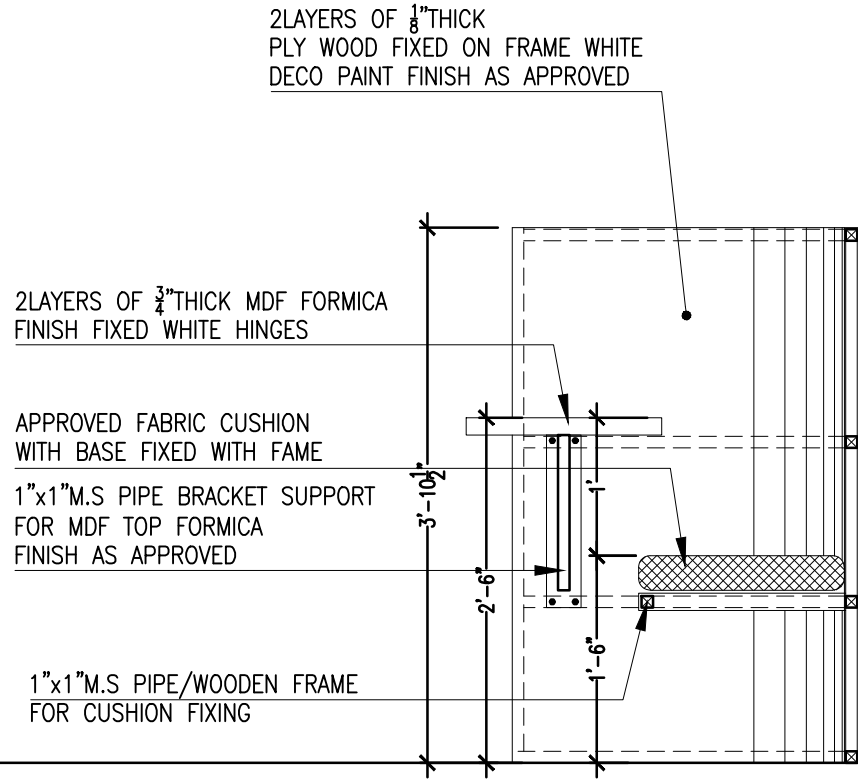
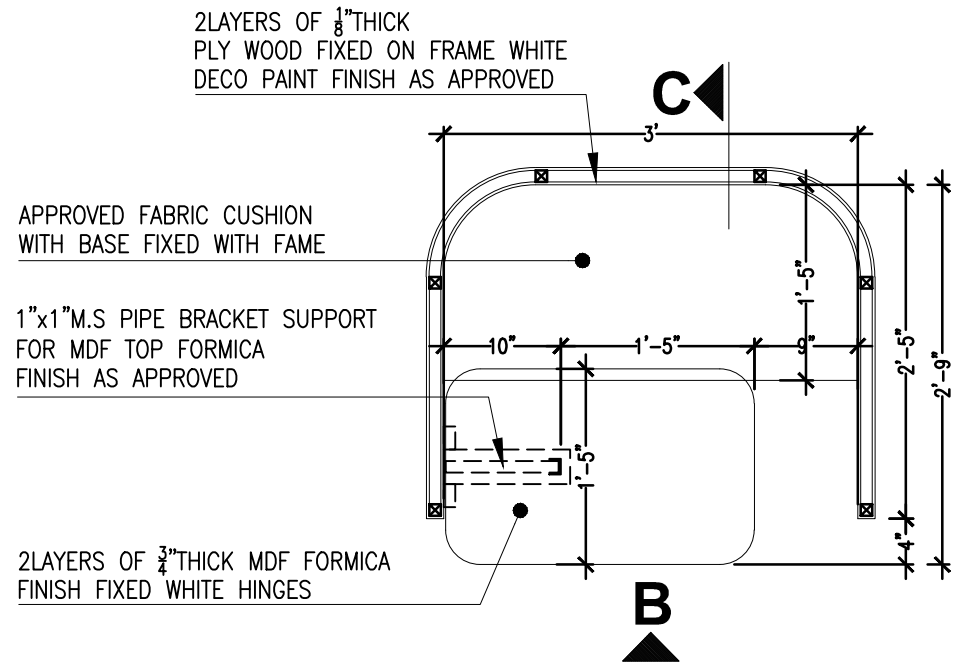


B ELEVATION
 LB-CR-110-05 SCALE 3/4" = 1'-0"



C SECTION
 LB-CR-110-05 SCALE 3/4" = 1'-0"



A CARREL PLAN
 LB-CR-110-05 SCALE 3/4" = 1'-0"

FOR APPROVAL

| | | | |
|-----------|--------------------------|--------------|---|
| REVISION: | DATE : | PROJECT: | GIFT UNIVERSITY Lohian Wala, Gujranwala. DRAWING TITLE AND NUMBER: LIBRARY CARREL DEATILS (CR) GUG/LB/CR-110-05 |
| | 21 MAY 2019 | LB-CR-110-05 | |
| | DLVRD. ON: | CHECKED BY: | THESE DRAWINGS REMAIN THE PROPERTY OF AK DESIGN STUDIO & ANY UNAUTHORIZED REPRODUCTION IS PROSECUTABLE |
| | 24 JULY 2020 | A.K | |
| | Designed by: Syed Kashif | | |
| | Drawn by: Abu-bakar | | |
| | Approved by: AK | | |
| | SCALE: | | |



AK DESIGN STUDIO
 ARCHITECTURE.....INTERIOR.....LANDSCAPE.....CONSTRUCTION

274/A , Block-C , Faisal Town Lahore.
 Phone : 0345-0010303, 042-35161288

